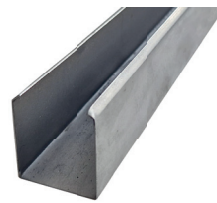
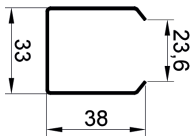
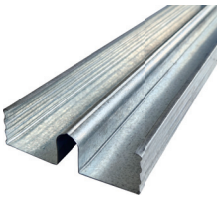
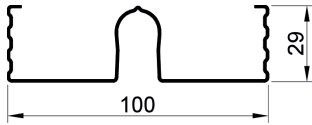

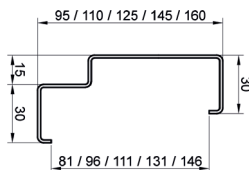
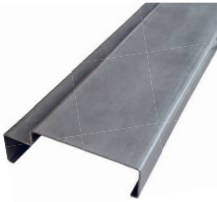
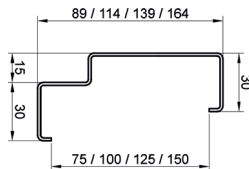
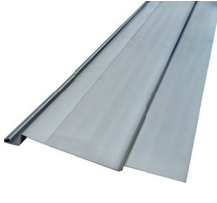
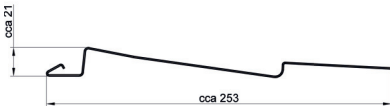

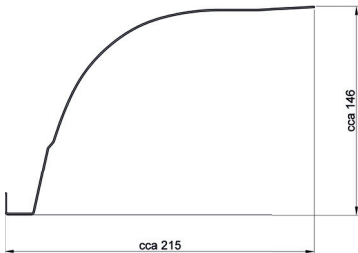


SPECIAL PROFILES

Image	Profile	Technical drawing	Technical data
	HICON 1.5 mm		Dimensions: 26 x 24 mm The M10 screw with 6HR head for key s=16 is inserted into the profile Material: DX51D+Z Norm: ČSN EN 10346, ČSN EN 10143 Application: traffic signs
	C 20,5 SPECIAL 1.5 mm		Dimensions: 20.5 x 23 mm The M10 screw with 6HR head for key s=16 is inserted into the profile Material: DX51D+Z Norm: ČSN EN 10346, ČSN EN 10143 Application: traffic signs
	C 25 SPECIAL 1.5 mm		Dimensions: 25 x 25 mm The M8 gate bolt is inserted into the profile Material: DX51D+Z Norm: ČSN EN 10346, ČSN EN 10143 Application: traffic signs
	C 9,75 - 20 2.0 mm with holes		Dimensions: 40 x 20 mm Perforated profile - oval 10.5 x 25 mm Material: DX51D+Z / DC01 Norm: ČSN EN 10346, ČSN EN 10143 / ČSN EN 10130, ČSN EN 10131 Application: beams, brackets
	C 9,75 - 40 2.0 mm with holes		Dimensions: 40 x 40 mm Perforated profile - oval 10.5 x 25 mm Material: DX51D+Z / DC01 Norm: ČSN EN 10346, ČSN EN 10143 / ČSN EN 10130, ČSN EN 10131 Application: beams, brackets
	U 14,5 STAINLESS STEEL 1.5 mm		Dimensions: 13.5 x 14.5 mm Material: 17 240 Norm: ČSN EN 10088-2, ČSN EN ISO 9445-1, ČSN EN ISO 9445-2 Application: shower rails
	U-GM 1.5 mm		Dimensions: 23 x 23 mm Material: DC01 Norm: ČSN EN 10130, ČSN EN 10131 Application: ventilation systems
	4-W-01-07 2.0 mm		Dimensions: 54 x 36.7 mm Norm: STN 426333

SPECIAL PROFILES

Image	Profile	Technical drawing	Technical data
	SB-TREVOS 0.6 mm		Dimensions: 33 x 38 mm Material: DC01 Norm: ČSN EN 10130, ČSN EN 10131 Application: luminaires
	COLUMN PROFILE 0.6 mm		Dimensions: 100 x 29 mm Material: DX51D+Z Norm: ČSN EN 10346, ČSN EN 10143 Application: ceiling heating
	H 95 H 110 H125 H145 H160 1.5 mm		Dimensions: 95 110 125 145 160 x 45 mm Material: DC01 / DD11 Norm: ČSN EN 10130, ČSN EN 10131 / ČSN EN 10051, ČSN EN 10111 Application: door frames
	ZS 75 ZS 100 ZS 125 ZS 150 1.5 mm		Dimensions: 89 114 139 154 x 45 mm Material: DC01 / DD11 Norm: ČSN EN 10130, ČSN EN 10131 / ČSN EN 10051, ČSN EN 10111 Application: door frames
	BANDAGE IVECO 0.6 mm		Dimensions: cca 253 x 21 mm Material: HX300LAD+ZF Norm: ČSN EN 10346, ČSN EN 10143 Application: automotive
	IVECO CAP 0.6 mm		Dimensions: cca 215 x 146 mm Material: HX300LAD+ZF Norm: ČSN EN 10346, ČSN EN 10143 Application: automotive