


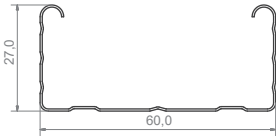

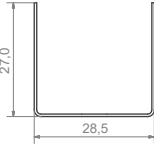
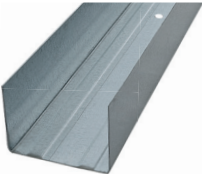
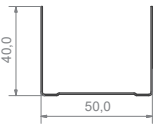
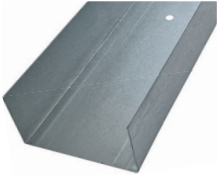
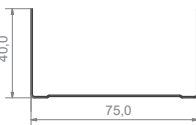

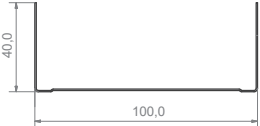

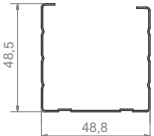

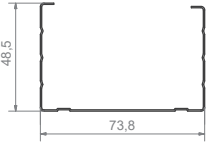

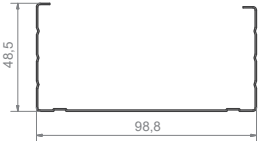
OPEN HDG STEEL PROFILES FOR WALLBOARD CONSTRUCTIONS

Produced according to DIN 18182-1 and EN 14195 standards.

Made of drawing non-alloyed HDG steel grade DX51D + Z by cold forming.

Type of design: Standard

Thin-walled profiles - thickness 0.6 mm

Image	Profile	Technical drawing	Technical data
	CD		Dimensions: 27 x 60 x 27 mm Specific weight: 0.579 kg/m Use: ceiling structure Bundle: 12 / 180 bars (15 small bundles)
	UD		Dimensions: 28 x 28 x 28 mm Specific weight: 0.37 kg/m Use: connecting Bundle: 8 / 448 bars (28 small bundles)
	UW 50		Dimensions: 40 x 50 x 40 mm Specific weight: 0.60 kg/m Use: wall structure Bundle: 8 / 160 bars (20 small bundles)
	UW 75		Dimensions: 40 x 75 x 40 mm Specific weight: 0.72 kg/m Use: wall structure Bundle: 8 / 120 bars (15 small bundles)
	UW 100		Dimensions: 40 x 100 x 40 mm Specific weight: 0.83 kg/m Use: wall structure Bundle: 8 / 80 bars (10 small bundles)
	CW 50		Dimensions: 50 x 50 x 50 mm Specific weight: 0.75 kg/m Use: wall structure Bundle: 8 / 128 bars (16 small bundles)
	CW 75		Dimensions: 50 x 75 x 50 mm Specific weight: 0.84 kg/m Use: wall structure Bundle: 8 / 96 bars (12 small bundles)
	CW 100		Dimensions: 50 x 100 x 50 mm Specific weight: 0.95 kg/m Use: wall structure Bundle: 8 / 64 bars (8 small bundles)


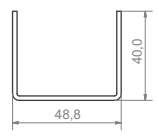

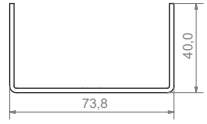


OPEN HDG STEEL PROFILES FOR WALLBOARD CONSTRUCTIONS

Produced according to DIN 18182-1 and EN 14195 standards.

Made of drawing non-alloyed HDG steel grade DX51D + Z by cold forming.

Type of design: Standard

Thick-walled profiles - thickness 2.0 mm

Image	Profile	Technical drawing	Technical data
	UA 50		Dimensions: 40 x 50 x 40 mm Specific weight: 1.83 kg/m Use: reinforcement Bundle: 4 / 96 bars
	UA 75		Dimensions: 40 x 75 x 40 mm Specific weight: 2.18 kg/m Use: reinforcement Bundle: 4 / 96 bars
	UA 100		Dimensions: 40 x 100 x 40 mm Specific weight: 2.55 kg/m Use: reinforcement Bundle: 4 / 64 bars